

Specification

Aluminium 6063-T6 alloy to BS EN 755-9 standard, powder coated to BS 6496 to 60 - 80 micron finish.

Aluminium Finish: White - RAL 9003 Satin.

Sub-Frame: Primed high quality with 2 coats, FSC Mix credit radiata pine clear grade, FSC mix credit TT-COC-002 157.

Timber Size: 62mm x 16mm.

Glazing: All frames are factory glazed.

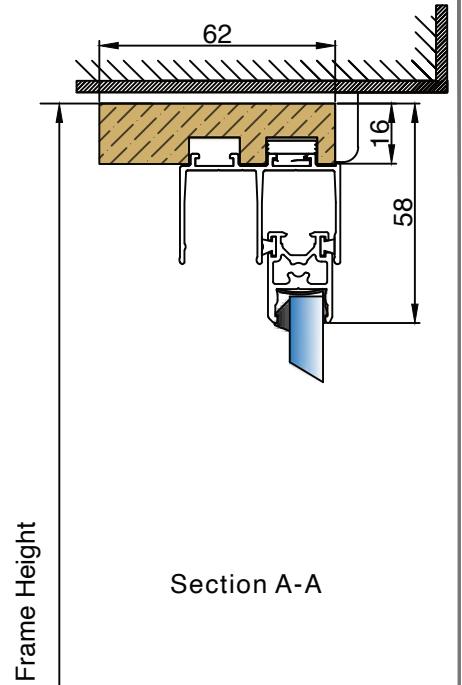
Gasket colour: White.

Trim: 27mm uPVC Single Bullnosed White.

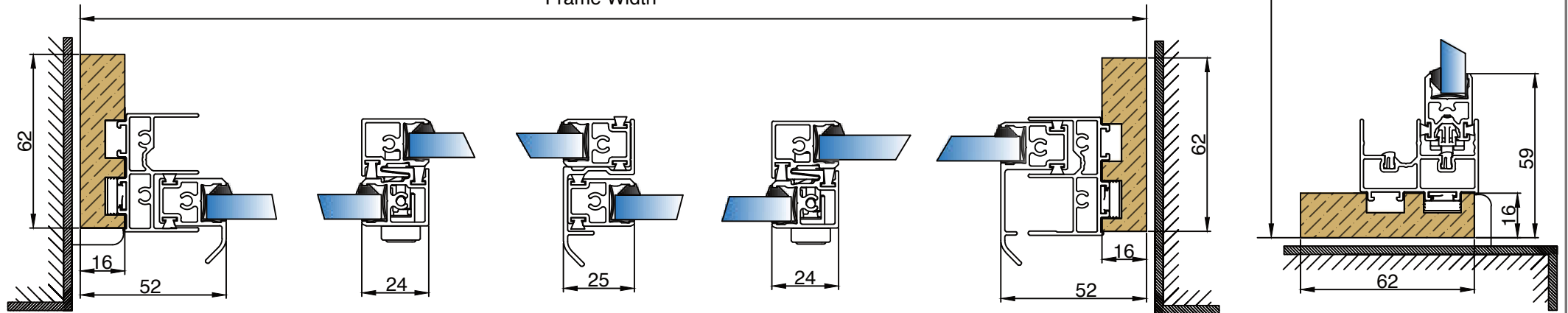
Ironmongery: Integrated button included.
Locking button as a extra option.

Reverse option also available

In line with our company policy of continuous product development and improvement, Arctic Glaze Ltd reserves the right to make minor alterations to the specification without notice.



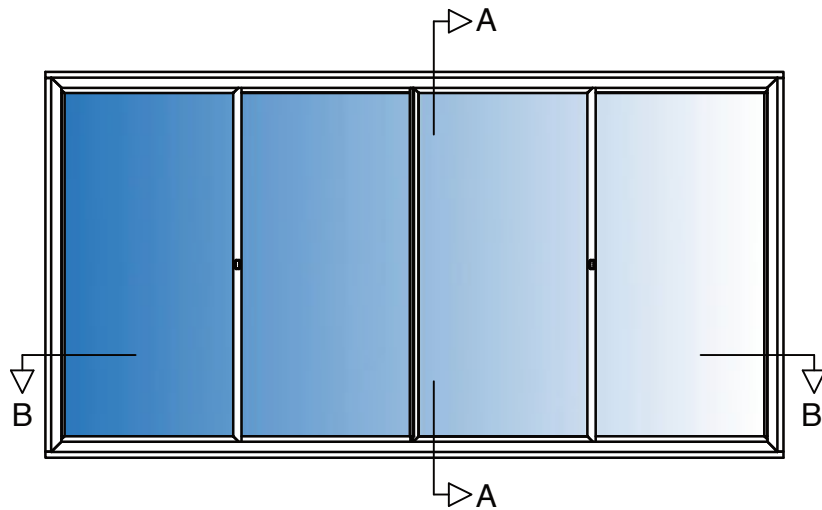
Frame Width



PROJECT: Standard Details	AG_001 DRAWING NO.	- PROJECT NO.	07/07/21 DATE.
TITLE: HS4,Horizontal slider-4 pane, Reveal Fix,up to 10.8mm glass	NTS DRAWN.	AB CHECKED.	RH REVISION.

Arctic Glaze Ltd
Secondary Glazing Specialists

T: 01246 807 388
E: info@arcticglaze.com
W: www.arcticglaze.com



Specification

Aluminium 6063-T6 alloy to BS EN 755-9 standard, powder coated to BS 6496 to 60 - 80 micron finish.

Aluminium Finish: White - RAL 9003 Satin.

Sub-Frame: Primed high quality with 2 coats, FSC Mix credit radiata pine clear grade, FSC mix credit TT-COC-002 157.

Timber Size: 43mm x 16mm.

Glazing: All frames are factory glazed.

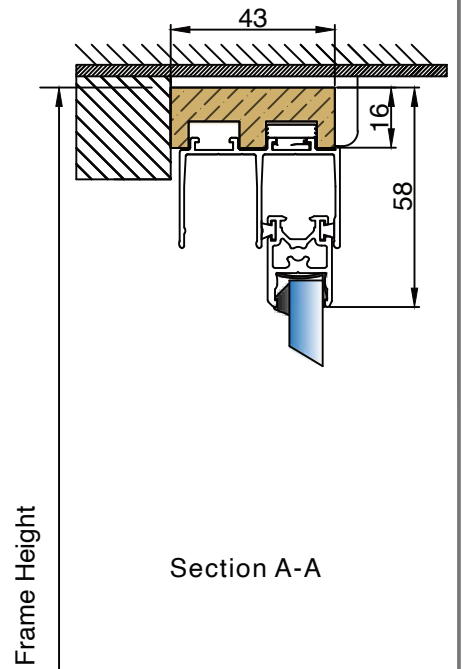
Gasket colour: White.

Trim: 27mm uPVC Single Bullnosed White.

Ironmongery: Integrated button included.
Locking button as a extra option.

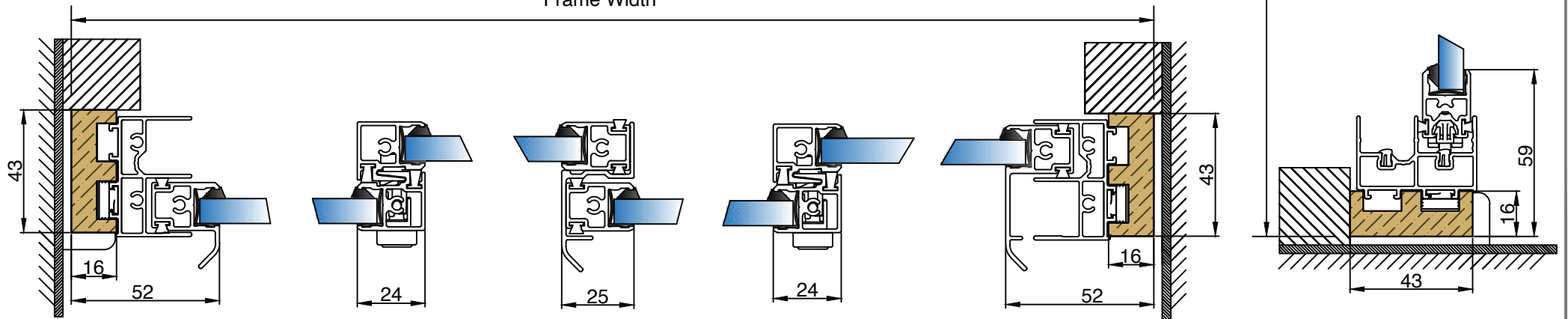
Reverse option also available

In line with our company policy of continuous product development and improvement, Arctic Glaze Ltd reserves the right to make minor alterations to the specification without notice.



Section A-A

Frame Width



PROJECT:
Standard Details

AG_001
DRAWING NO.

-
PROJECT NO. DATE.

Arctic Glaze Ltd
Secondary Glazing Specialists

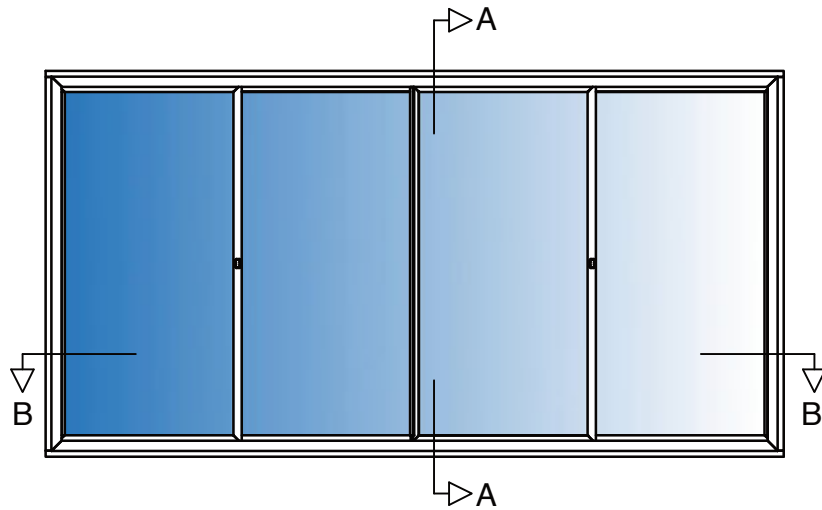
TITLE:
HS4, Horizontal slider-4 pane, Face Fix, up to 10.8mm glass

NTS
DRAWN.

RH
CHECKED.

-
REVISION.

T: 01246 807 388
E: info@arcticglaze.com
W: www.arcticglaze.com



Specification

Aluminium 6063-T6 alloy to BS EN 755-9 standard, powder coated to BS 6496 to 60 - 80 micron finish.

Aluminium Finish: White - RAL 9003 Satin.

Glazing: All frames are factory glazed.

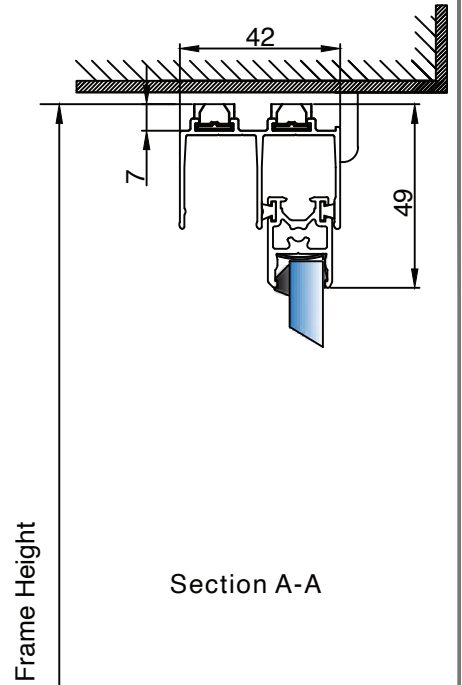
Gasket colour: White.

Trim: 27mm uPVC Single Bullnosed White.

Ironmongery: Integrated button included.
Locking button as a extra option.

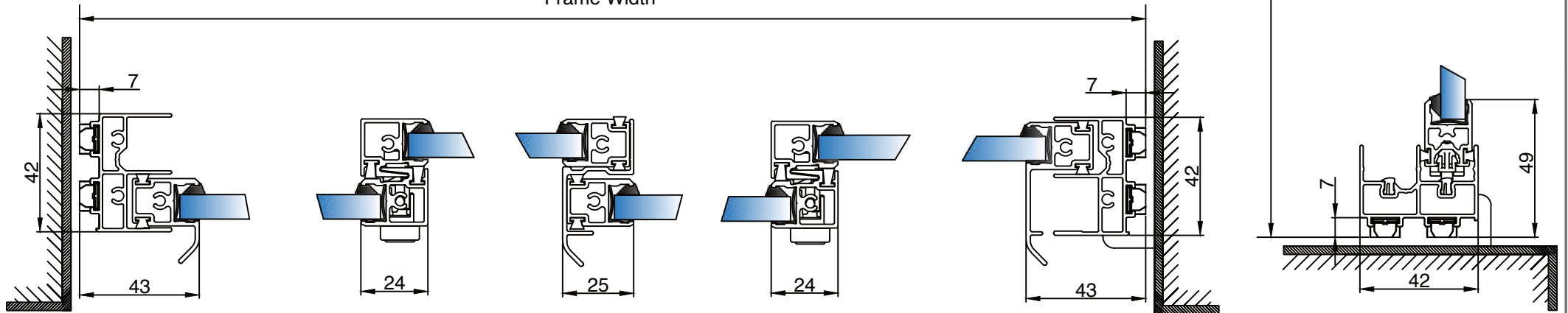
Reverse option also available

In line with our company policy of continuous product development and improvement, Arctic Glaze Ltd reserves the right to make minor alterations to the specification without notice.



Section A-A

Frame Width



PROJECT:
Standard Details

AG_001
DRAWING NO.

-
PROJECT NO. DATE.

Arctic Glaze Ltd
Secondary Glazing Specialists

TITLE:
HS4,Horizontal slider-4pane, Reveal Fix,No sub frame, up to 10.8mm glass

NTS

AB
DRAWN.

RH
CHECKED.

-
REVISION.

T: 01246 807 388
E: info@arcticglaze.com
W: www.arcticglaze.com