

Specification

Aluminium 6063-T6 alloy to BS EN 755-9 standard, powder coated to BS 6496 to 60 - 80 micron finish.

Aluminium Finish: White - RAL 9003 Satin.

Sub-Frame: Primed high quality with 2 coats, FSC Mix credit radiata pine clear grade, FSC mix credit TT-COC-002 157.

Timber Size: 25mm x 16mm.

Glazing: All frames are factory glazed.
(4mm-6.8 single glazed).

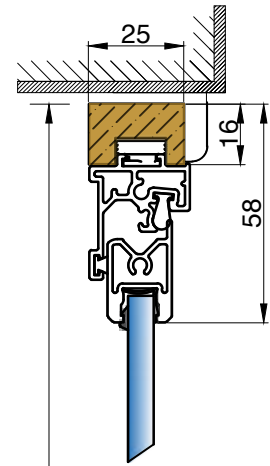
Gasket colour: White.

Trim: 27mm uPVC Single Bullnosed White.

Ironmongery: Butt hinges as standard.
Flat pendant handle as standard, locking turnbuckle as a option.

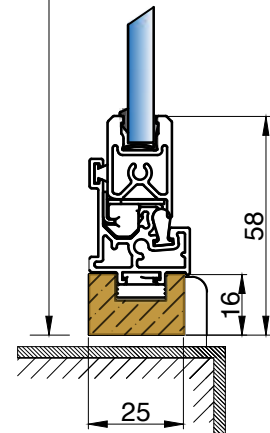
Orientation: Left hand and right hand options.

In line with our company policy of continuous product development and improvement, Arctic Glaze Ltd reserves the right to make minor alterations to the specification without notice.

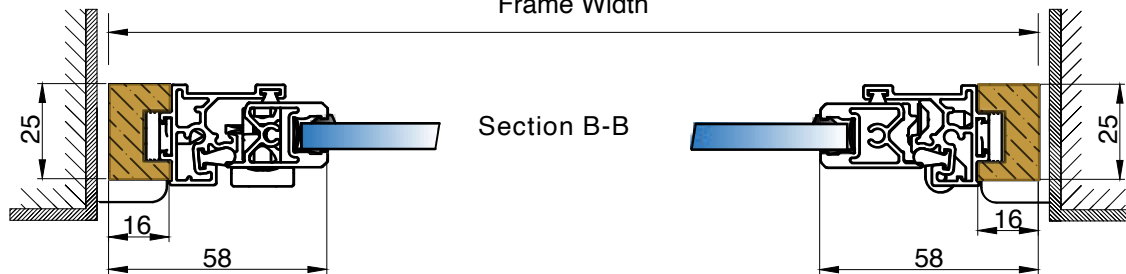


Frame Height

Section A-A



Frame Width



Section B-B

DESCRIPTION:

Standard Details

AG_001

DRAWING NO.

-

PROJECT NO.

07/07/21

DATE.

GLAZING/FIXING:

HU-SL-RHinge unit, Reveal Fix

NTS

AB

DRAWN.

RH

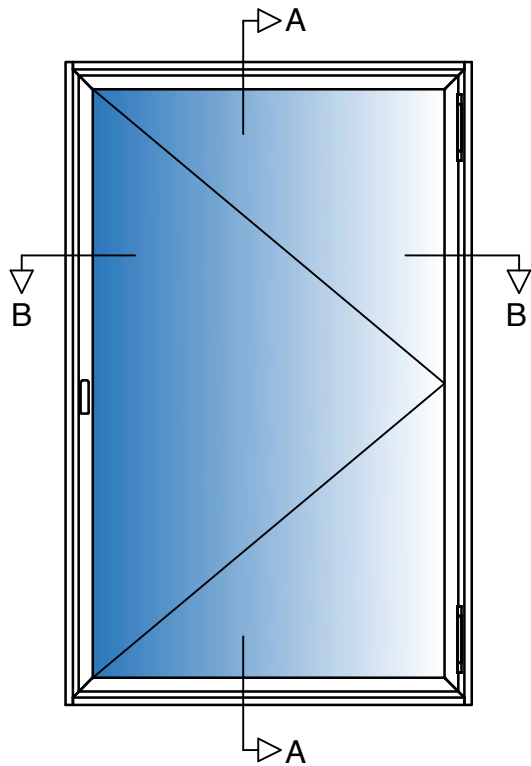
CHECKED.

-

REVISION.

Arctic Glaze Ltd
Secondary Glazing Specialists

T: 01246 807 388
E: info@arcticglaze.com
W: www.arcticglaze.com



Specification

Aluminium 6063-T6 alloy to BS EN 755-9 standard, powder coated to BS 6496 to 60 - 80 micron finish.

Aluminium Finish: White - RAL 9003 Satin.

Sub-Frame: Primed high quality with 2 coats, FSC Mix credit radiata pine clear grade, FSC mix credit TT-COC-002 157.

Timber Size: 25mm x 16mm.

Glazing: All frames are factory glazed.
(4mm-6.8 single glazed).

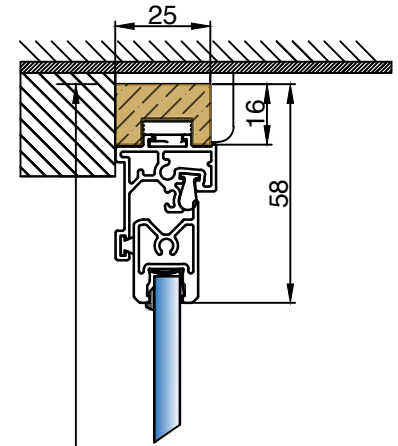
Gasket colour: White.

Trim: 27mm uPVC Single Bullnosed White.

Ironmongery: Butt hinges as standard.
Flat pendant handle as standard, locking turnbuckle as a option.

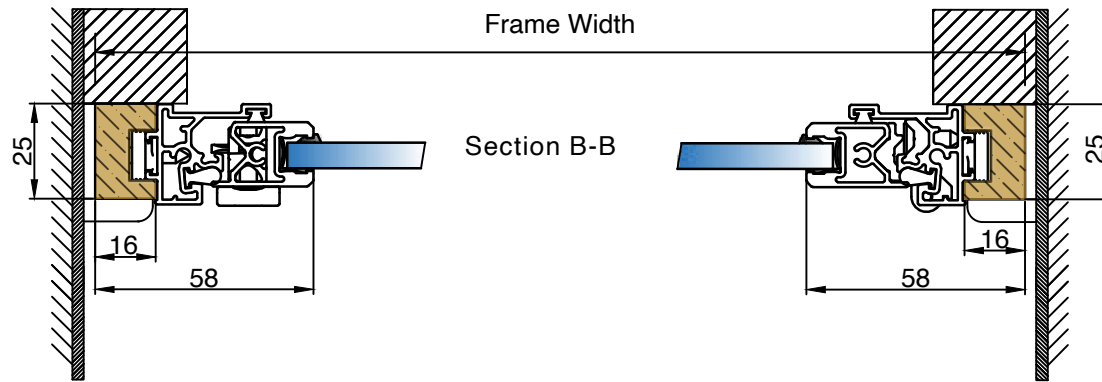
Orientation: Left hand and right hand options

In line with our company policy of continuous product development and improvement, Arctic Glaze Ltd reserves the right to make minor alterations to the specification without notice.



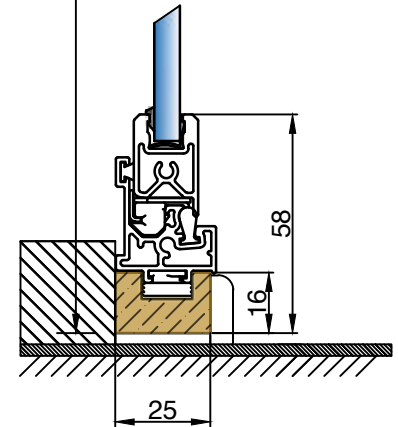
Frame Height

Section A-A



Frame Width

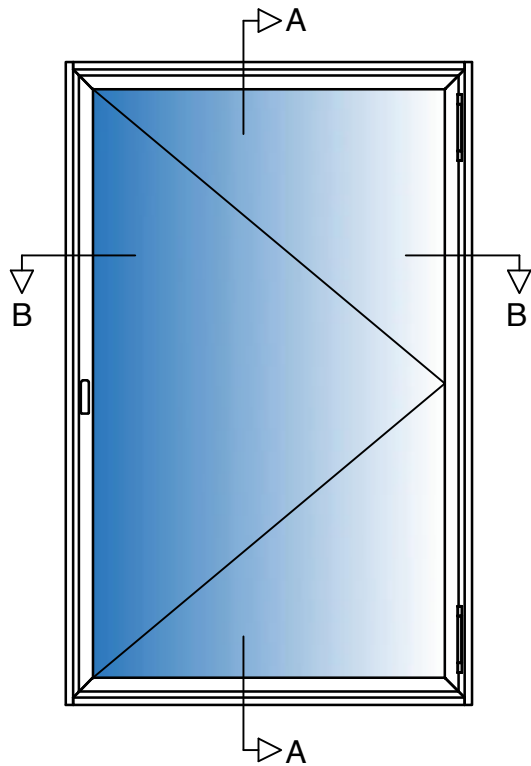
Section B-B



PROJECT: Standard Details	AG_001 DRAWING NO.	- PROJECT NO.	15/07/21 DATE.
TITLE: HU-SL-RHinge unit, Face Fix, Up to 6.8mm glass	NTS DRAWN.	AB CHECKED.	RH REVISION.

Arctic Glaze Ltd
Secondary Glazing Specialists

T: 01246 807 388
E: info@arcticglaze.com
W: www.arcticglaze.com



Specification

Aluminium 6063-T6 alloy to BS EN 755-9 standard, powder coated to BS 6496 to 60 – 80 micron finish.

Aluminium Finish: White – RAL 9003 Satin.

Sub-Frame: Primed high quality with 2 coats, FSC Mix credit radiata pine clear grade, FSC mix credit TT-COC-002 157.

Glazing: All frames are factory glazed.
(4mm-6.8 single glazed).

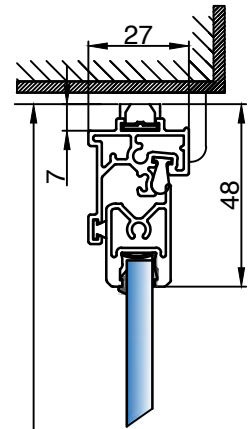
Gasket colour: White.

Trim: 27mm uPVC Single Bullnosed White.

Ironmongery: Butt hinges as standard.
Flat pendant handle as standard, locking turnbuckle as a option.

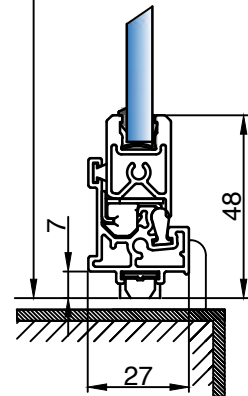
Orientation: Left hand and right hand options.

In line with our company policy of continuous product development and improvement, Arctic Glaze Ltd reserves the right to make minor alterations to the specification without notice.

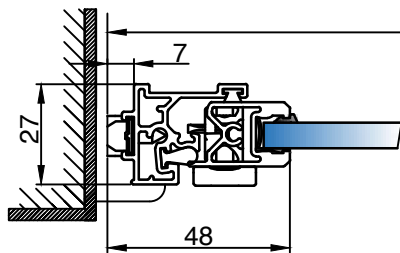


Frame Height

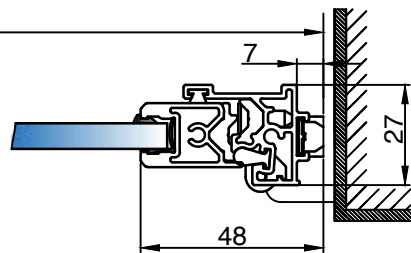
Section A-A



Frame Width



Section B-B



PROJECT:
Standard Details

AG_001
DRAWING NO.

-
PROJECT NO. DATE.

07/07/21

TITLE:
HU-SL-RHingeunit, No sub Reveal Fix, up to 6.8mm glass

NTS
DRAWN.

AB
CHECKED.

RH
REVISION.

Arctic Glaze Ltd
Secondary Glazing Specialists

T: 01246 807 388
E: info@arcticglaze.com
W: www.arcticglaze.com