

Specification

Aluminium 6063-T6 alloy to BS EN 755-9 standard, powder coated to BS 6496 to 60 - 80 micron finish.

Aluminium Finish: White - RAL 9003 Satin.

Sub-Frame: Primed high quality with 2 coats, FSC Mix credit radiata pine clear grade, FSC mix credit TT-COC-002 157.

Timber Size: 25mm x 16mm.

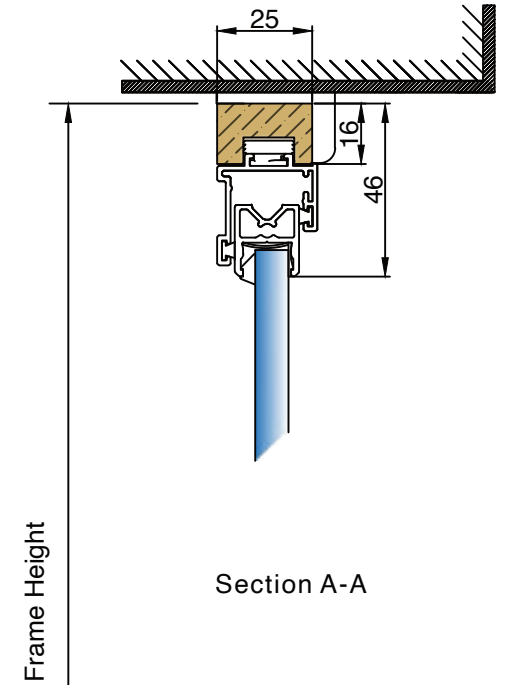
Glazing: All frames are factory glazed.

Gasket colour: White.

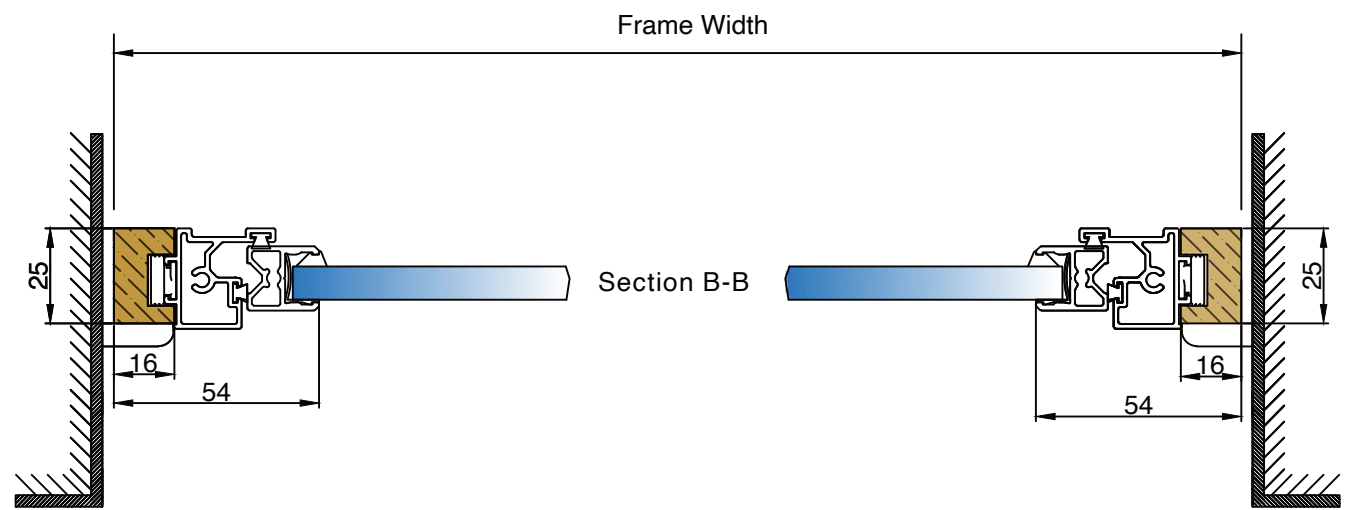
Trim: 27mm uPVC Single Bullnosed White.

Ironmongery: Locking option as an extra
Full perimeter handles as an extra.

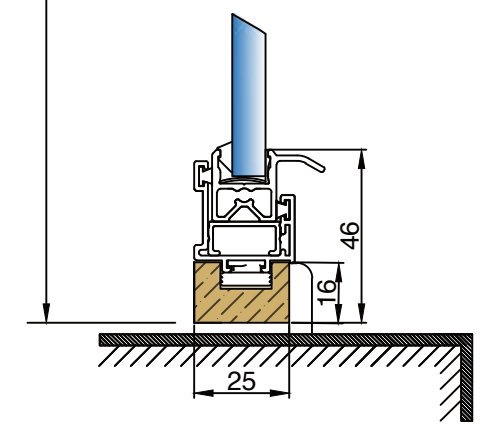
In line with our company policy of continuous product development and improvement, Arctic Glaze Ltd reserves the right to make minor alterations to the specification without notice.




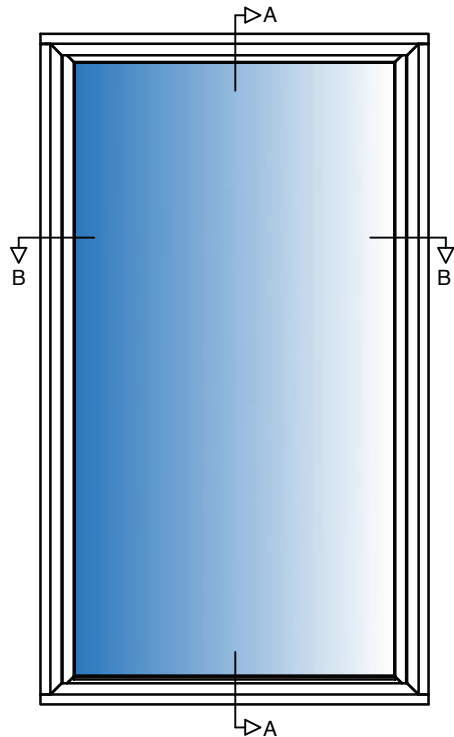
Section A-A



Section B-B



PROJECT: Standard Details	AG_001 DRAWING NO.	- PROJECT NO.	07/07/21 DATE.	 <p>Arctic Glaze Ltd Secondary Glazing Specialists</p> <p>T: 01246 807 388 E: info@arcticglaze.com W: www.arcticglaze.com</p>
TITLE: LO Lift out, Reveal Fix, up to 10.8mm glass	NTS DRAWN.	AB DRAWN.	RH CHECKED.	



Specification

Aluminium 6063-T6 alloy to BS EN 755-9 standard, powder coated to BS 6496 to 60 - 80 micron finish.

Aluminium Finish: White - RAL 9003 Satin.

Sub-Frame: Primed high quality with 2 coats, FSC Mix credit radiata pine clear grade, FSC mix credit TT-COC-002 157.

Timber Size: 25mm x 16mm.

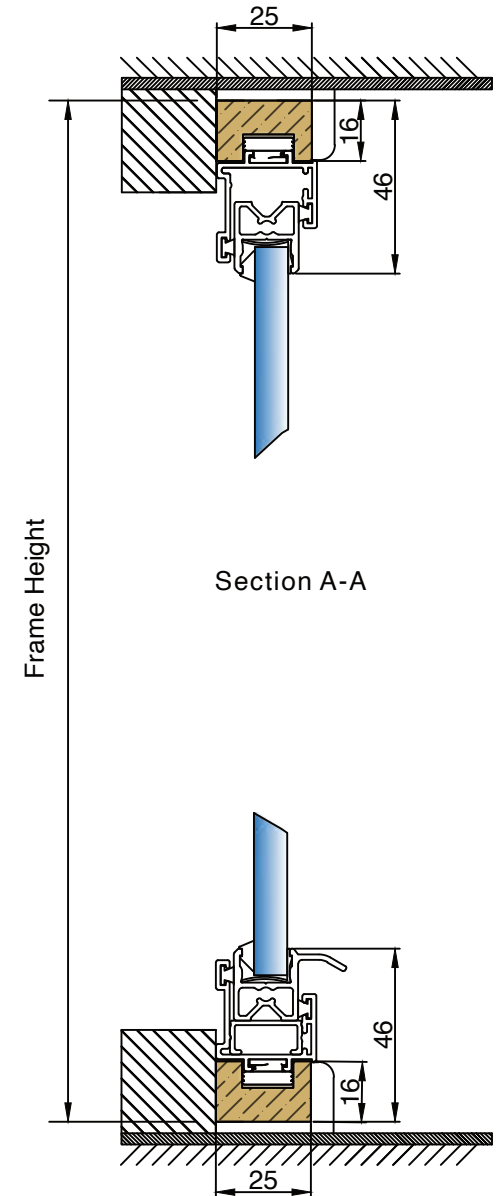
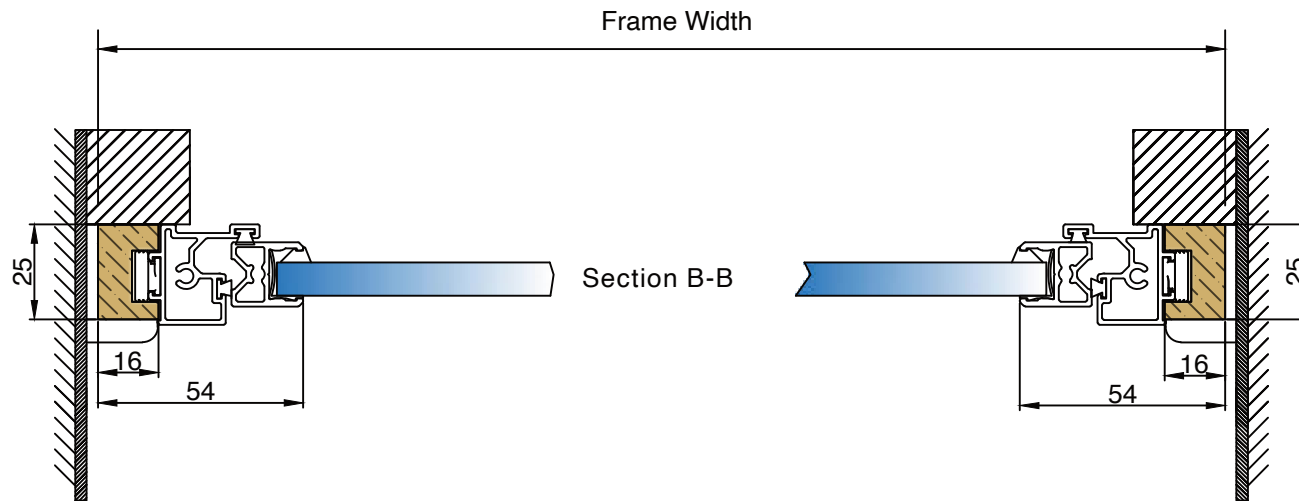
Glazing: All frames are factory glazed.

Gasket colour: White.

Trim: 27mm uPVC Single Bullnosed White.

Ironmongery: Locking option as an extra
Full perimeter handles as an extra.

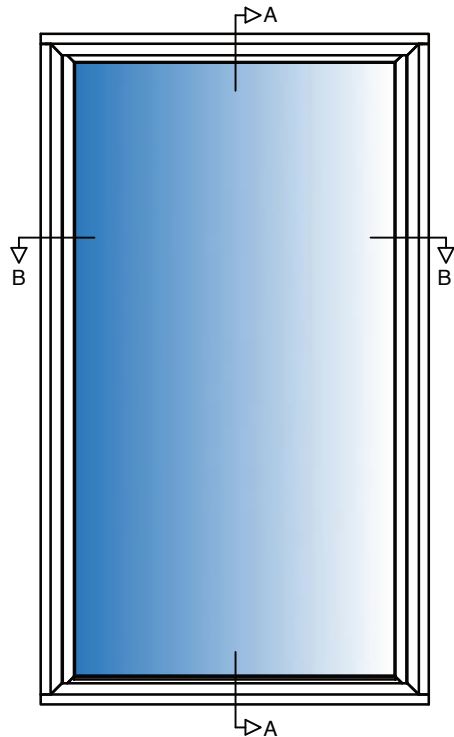
In line with our company policy of continuous product development and improvement, Arctic Glaze Ltd reserves the right to make minor alterations to the specification without notice.



PROJECT: Standard Details	AG_001 DRAWING NO.	- PROJECT NO.	07/07/21 DATE.
TITLE: LO Lift out, Face Fix, up to 10.8mm glass	NTS DRAWN.	AB CHECKED.	RH REVISION.

Arctic Glaze Ltd
Secondary Glazing Specialists

T: 01246 807 388
E: info@arcticglaze.com
W: www.arcticglaze.com



Specification

Aluminium 6063-T6 alloy to BS EN 755-9 standard, powder coated to BS 6496 to 60 – 80 micron finish.

Aluminium Finish: White – RAL 9003 Satin.

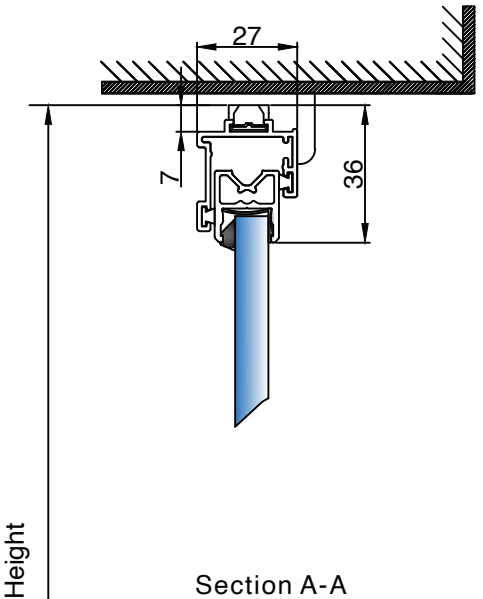
Glazing: All frames are factory glazed.

Gasket colour: White.

Trim: 27mm uPVC Single Bullnosed White.

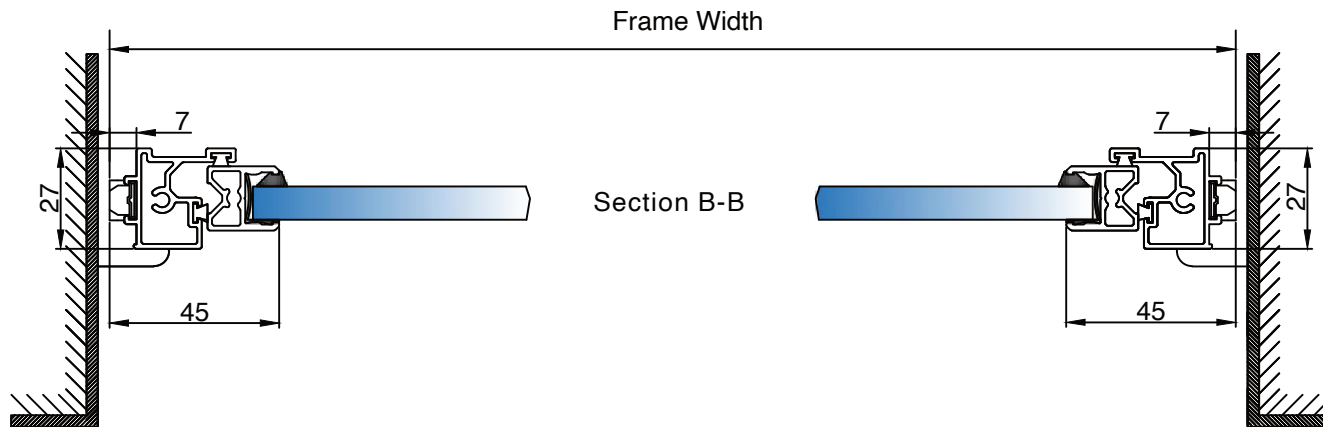
Ironmongery: Locking option as an extra
Full perimeter handles as an extra.

In line with our company policy of continuous product development and improvement, Arctic Glaze Ltd reserves the right to make minor alterations to the specification without notice.



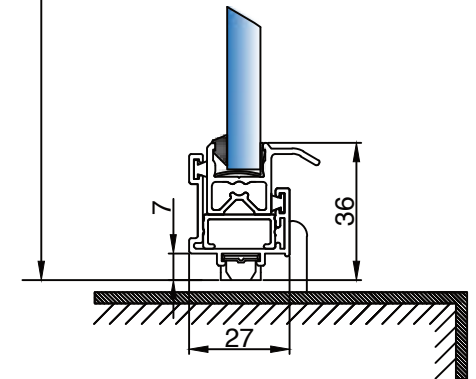
Frame Height

Section A-A



Frame Width

Section B-B



PROJECT: Standard Details	AG_001 DRAWING NO.	- PROJECT NO.	07/07/21 DATE.
TITLE: LO Liftout, Reveal Fix, No sub frame, up to 10.8mm glass	NTS DRAWN.	AB CHECKED.	RH REVISION.

Arctic Glaze Ltd
Secondary Glazing Specialists

T: 01246 807 388
E: info@arcticglaze.com
W: www.arcticglaze.com