

Specification

Aluminium 6063-T6 alloy to BS EN 755-9 standard, powder coated to BS 6496 to 60 – 80 micron finish.

Aluminium Finish: White – RAL 9003 Satin.

Sub-Frame: Primed high quality with 2 coats, FSC Mix credit radiata pine clear grade, FSC mix credit TT-COC-002 157.

Timber Size: 62mm x 16mm.

Glazing: All frames are factory glazed.
(4mm-10.8 single glazed – 28mm overall double glazed).

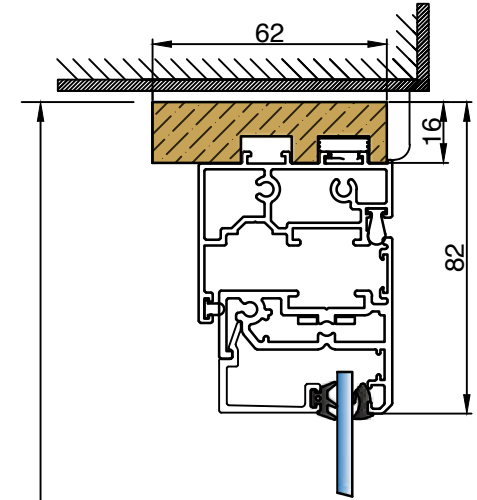
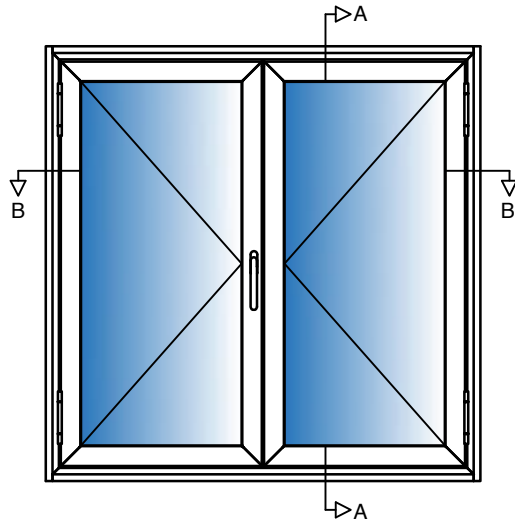
Gasket colour: White.

Trim: 27mm uPVC Single Bullnosed White.

Ironmongery: Butt hinges as standard, friction stays option available.
Symphony Inline handle as standard, flush inline handle option available.
Square drive actuator removable handle option available.

Orientation: Left hand, right hand and top hung options.

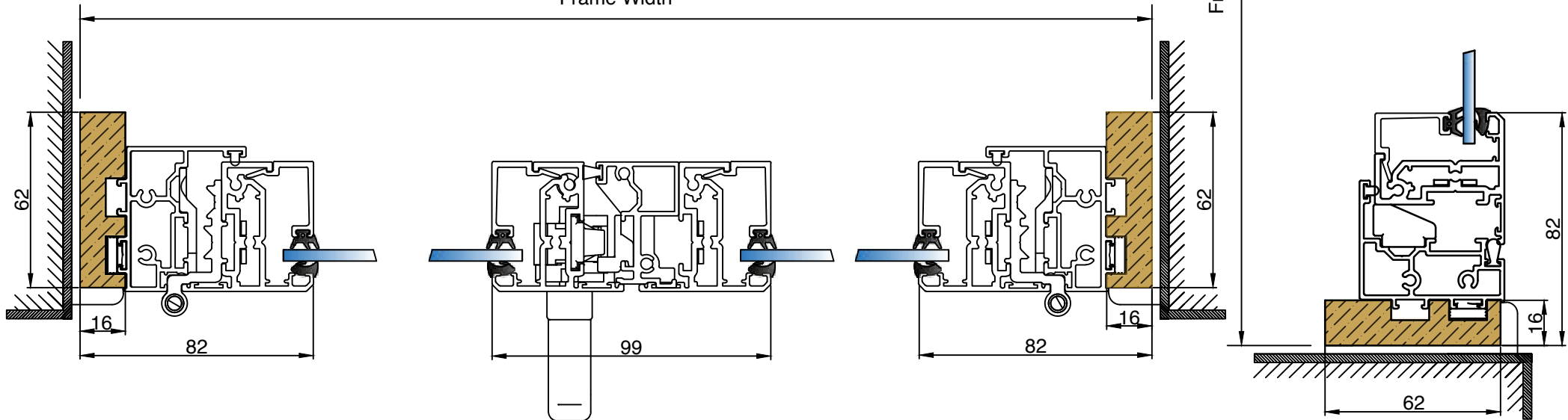
In line with our company policy of continuous product development and improvement, Arctic Glaze Ltd reserves the right to make minor alterations to the specification without notice.



Section A-A

Frame Width

Frame Height



PROJECT:
Standard Details

AG_001
DRAWING NO.

-
PROJECT NO. DATE.

07/07/21

TITLE:
HU-DH Hinge unit, Reveal Fix, Single glazed

NTS
DRAWN.

AB

RH
CHECKED.

-
REVISION.

Arctic Glaze Ltd
Secondary Glazing Specialists

T: 01246 807 388
E: info@arcticglaze.com
W: www.arcticglaze.com

Specification

Aluminium 6063-T6 alloy to BS EN 755-9 standard, powder coated to BS 6496 to 60 – 80 micron finish.

Aluminium Finish: White – RAL 9003 Satin.

Sub-Frame: Primed high quality with 2 coats, FSC Mix credit radiata pine clear grade, FSC mix credit TT-COC-002 157.

Timber Size: 62mm x 16mm.

Glazing: All frames are factory glazed.
(4mm-10.8 single glazed – 28mm overall double glazed).

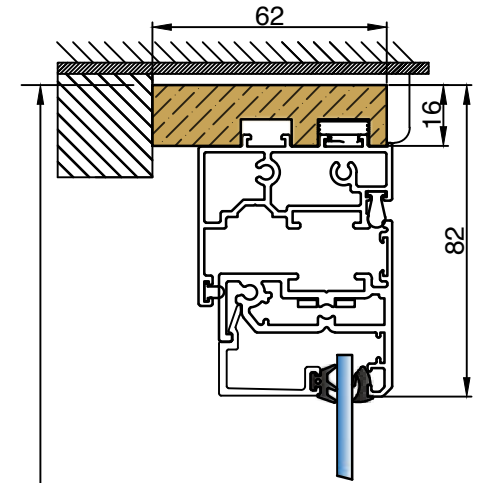
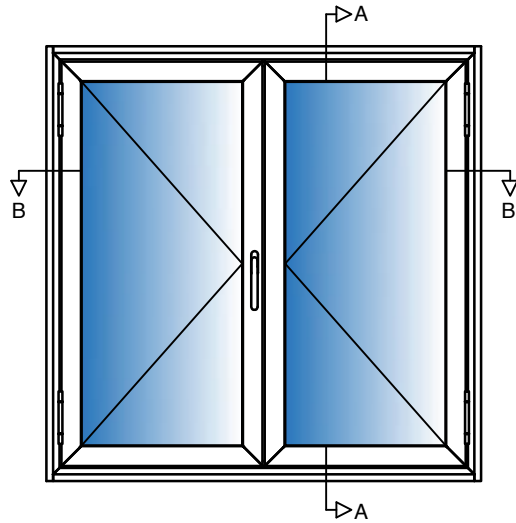
Gasket colour: White.

Trim: 27mm uPVC Single Bullnosed White.

Ironmongery: Butt hinges as standard, friction stays option available.
Symphony Inline handle as standard, flush inline handle option available.
Square drive actuator removable handle option available.

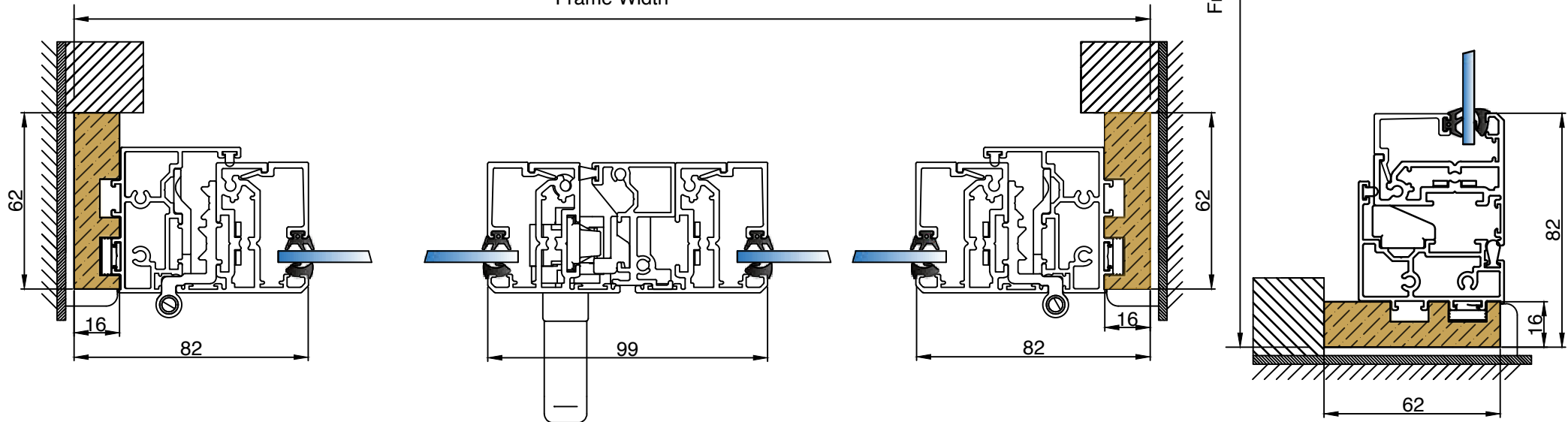
Orientation: Left hand, right hand and top hung options.

In line with our company policy of continuous product development and improvement, Arctic Glaze Ltd reserves the right to make minor alterations to the specification without notice.



Section A-A

Frame Width



PROJECT:
Standard Details

AG_001
DRAWING NO.

-
PROJECT NO. DATE.

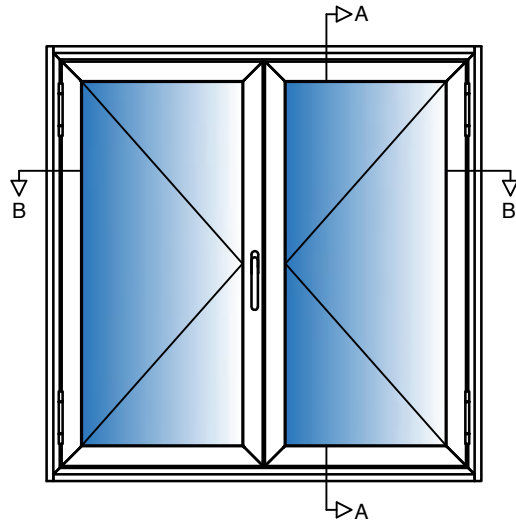
Arctic Glaze Ltd
Secondary Glazing Specialists

TITLE:
HU-DH Hinge unit, Face Fix, Single glazed

NTS
AB
DRAWN.

RH
CHECKED. REVISION.

T: 01246 807 388
E: info@arcticglaze.com
W: www.arcticglaze.com



Specification

Aluminium 6063-T6 alloy to BS EN 755-9 standard, powder coated to BS 6496 to 60 - 80 micron finish.

Aluminium Finish: White - RAL 9003 Satin.

Glazing: All frames are factory glazed.
(4mm-10.8 single glazed - 28mm overall double glazed).

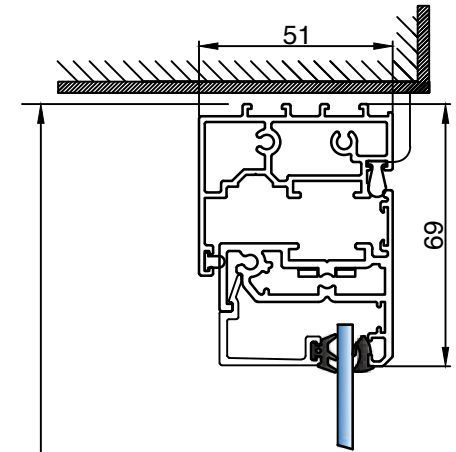
Gasket colour: White.

Trim: 27mm uPVC Single Bullnosed White.

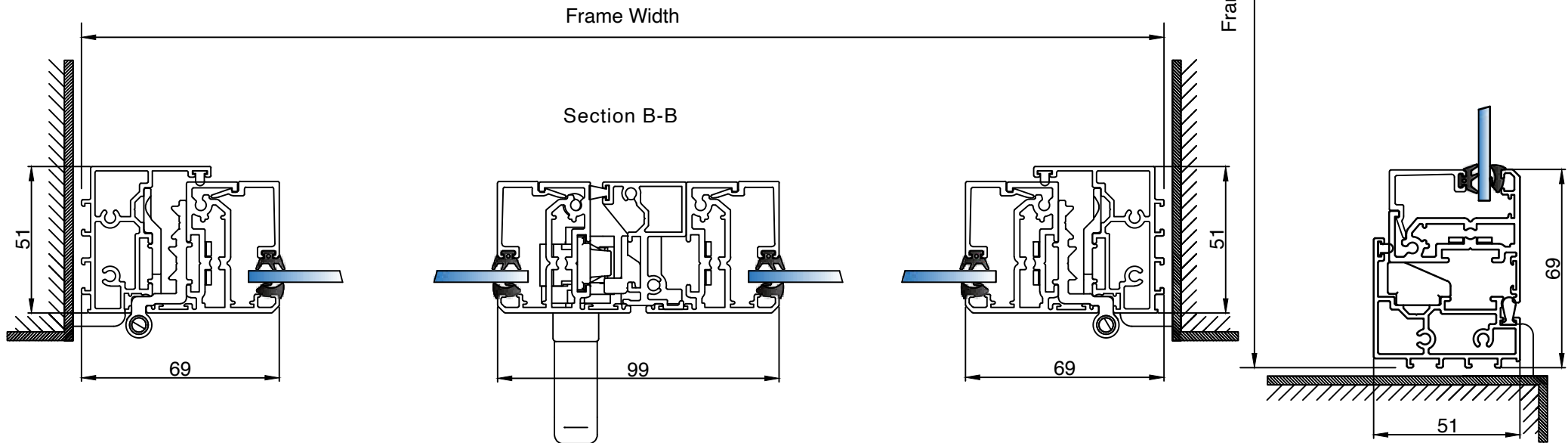
Ironmongery: Butt hinges as standard, friction stays option available.
Symphony Inline handle as standard, flush inline handle option available.
Square drive actuator removable handle option available.

Orientation: Left hand, right hand and top hung options.

In line with our company policy of continuous product development and improvement, Arctic Glaze Ltd reserves the right to make minor alterations to the specification without notice.



Section A-A



Frame Width

Section B-B

Frame Height

PROJECT: Standard Details	AG_001 DRAWING NO.	- PROJECT NO.	07/07/21 DATE.
TITLE: HU-DHHinge unit, Reveal Fix, Single glazed	NTS DRAWN.	AB CHECKED.	RH REVISION.

Arctic Glaze Ltd
Secondary Glazing Specialists

T: 01246 807 388
E: info@arcticglaze.com
W: www.arcticglaze.com