

**Specification**

Aluminium 6063-T6 alloy to BS EN 755-9 standard, powder coated to BS 6496 to 60 – 80 micron finish.

Aluminium Finish: White – RAL 9003 Satin.

Sub-Frame: Primed high quality with 2 coats, FSC Mix credit radiata pine clear grade, FSC mix credit TT-COC-002 157.

Timber Size: 62mm x 16mm.

Glazing: All frames are factory glazed.  
(4mm-10.8 single glazed – 28mm overall double glazed).

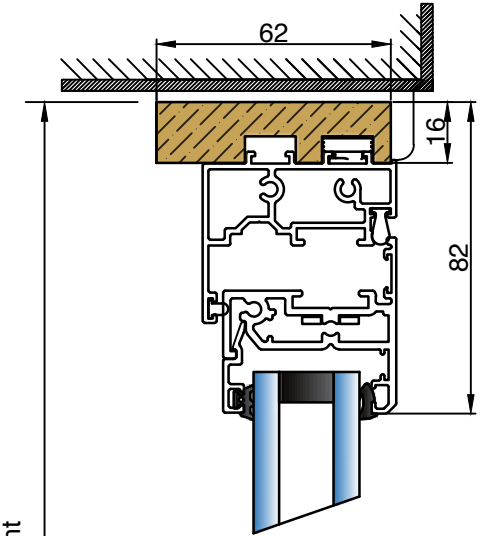
Gasket colour: White.

Trim: 27mm uPVC Single Bullnosed White.

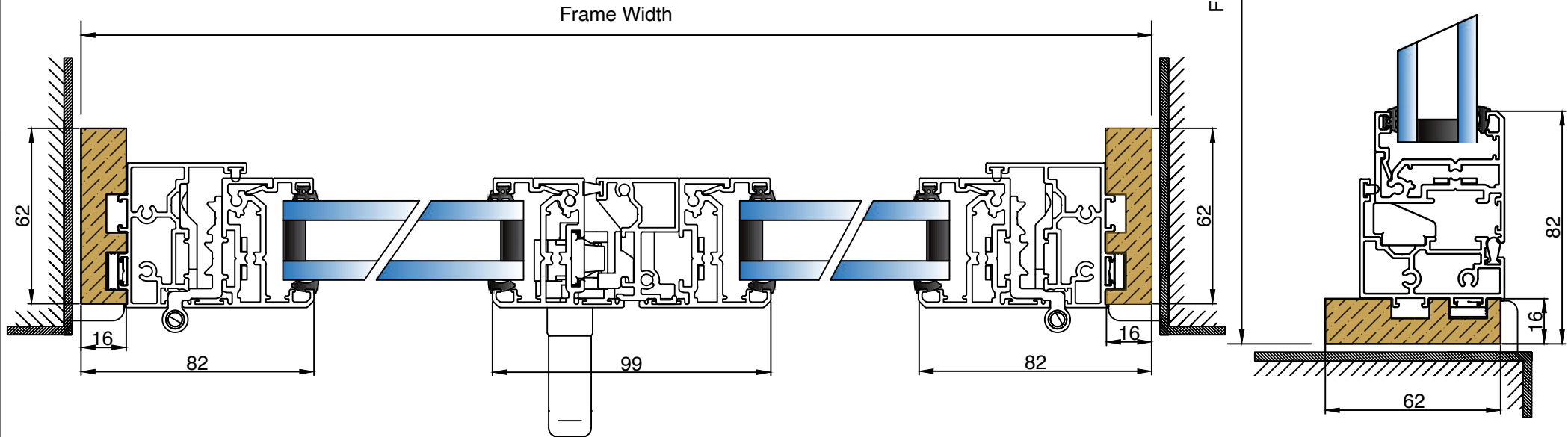
Ironmongery: Butt hinges as standard, friction stays option available.  
Symphony Inline handle as standard, flush inline handle option available.  
Square drive actuator removable handle option available.

Orientation: Left hand, right hand and top hung options.

In line with our company policy of continuous product development and improvement, Arctic Glaze Ltd reserves the right to make minor alterations to the specification without notice.



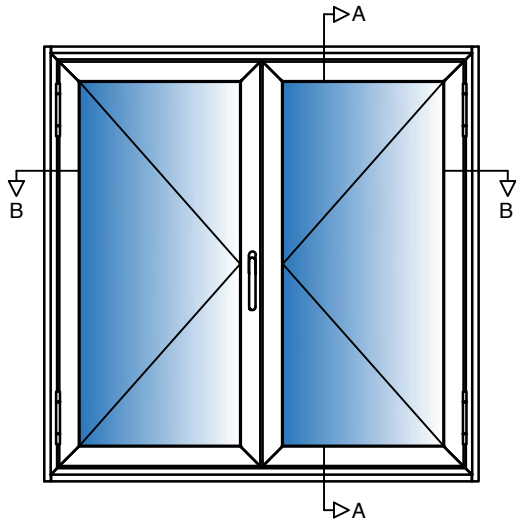
Section A-A



PROJECT: Standard Details	AG_001 DRAWING NO.	- PROJECT NO.	07/07/21 DATE.
TITLE: HU-DHHinge unit, Reveal Fix,double glazed	NTS DRAWN.	AB CHECKED.	RH REVISION.

**Arctic Glaze Ltd**  
Secondary Glazing Specialists

T: 01246 807 388  
E: info@arcticglaze.com  
W: www.arcticglaze.com



**Specification**

Aluminium 6063-T6 alloy to BS EN 755-9 standard, powder coated to BS 6496 to 60 – 80 micron finish.

Aluminium Finish: White – RAL 9003 Satin.

Sub-Frame: Primed high quality with 2 coats, FSC Mix credit radiata pine clear grade, FSC mix credit TT-COC-002 157.

Timber Size: 62mm x 16mm.

Glazing: All frames are factory glazed.  
(4mm-10.8 single glazed – 28mm overall double glazed).

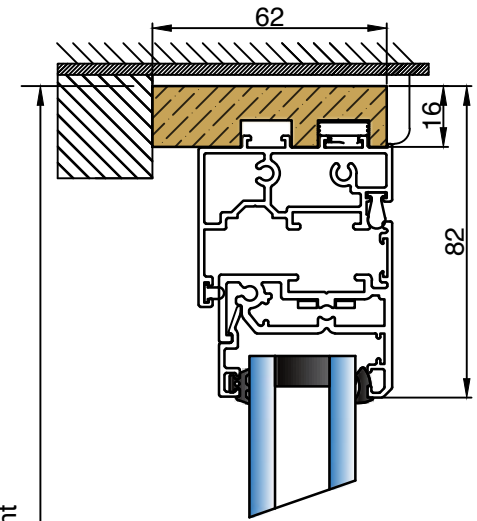
Gasket colour: White.

Trim: 27mm uPVC Single Bullnosed White.

Ironmongery: Butt hinges as standard, friction stays option available.  
Symphony Inline handle as standard, flush inline handle option available.  
Square drive actuator removable handle option available.

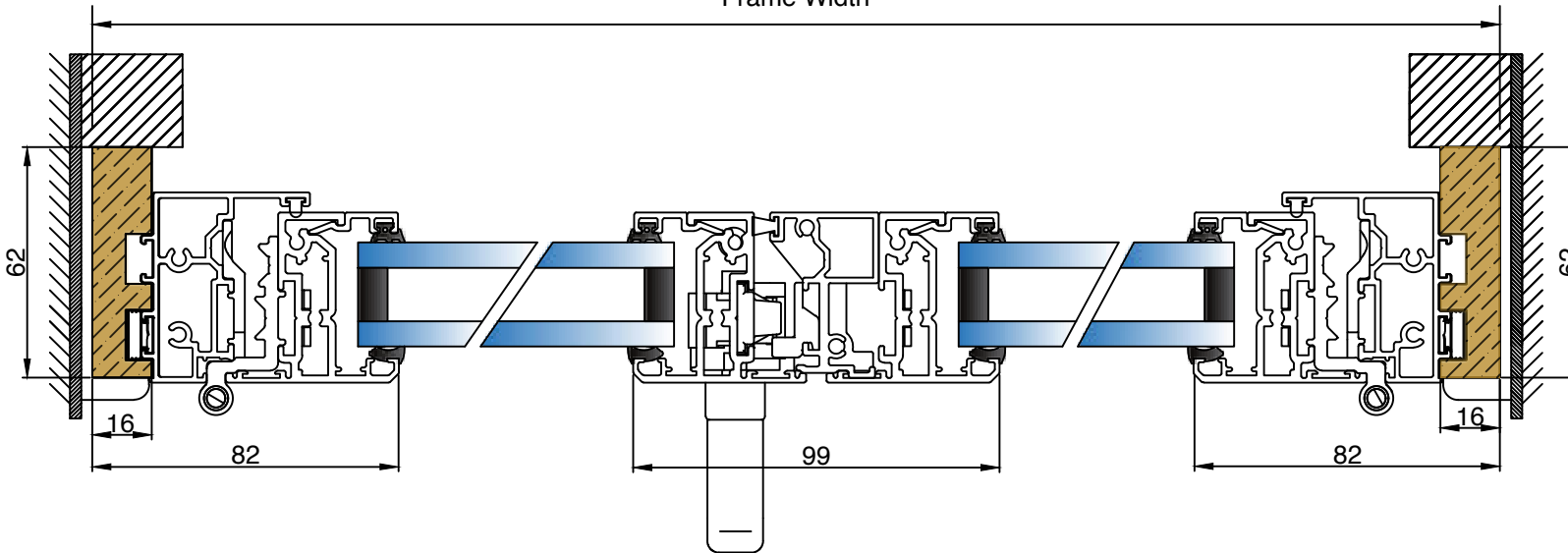
Orientation: Left hand, right hand and top hung options.

In line with our company policy of continuous product development and improvement, Arctic Glaze Ltd reserves the right to make minor alterations to the specification without notice.

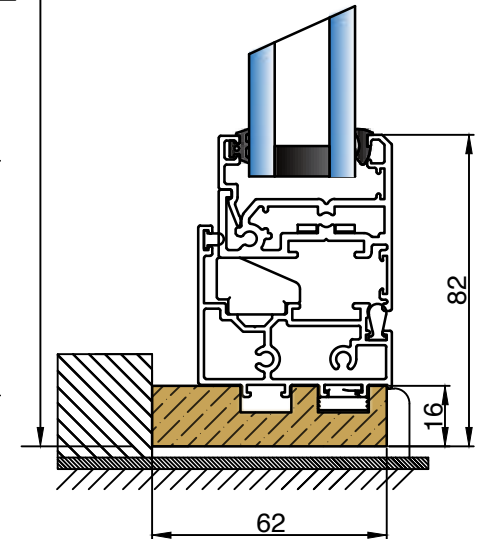


Section A-A

Frame Width



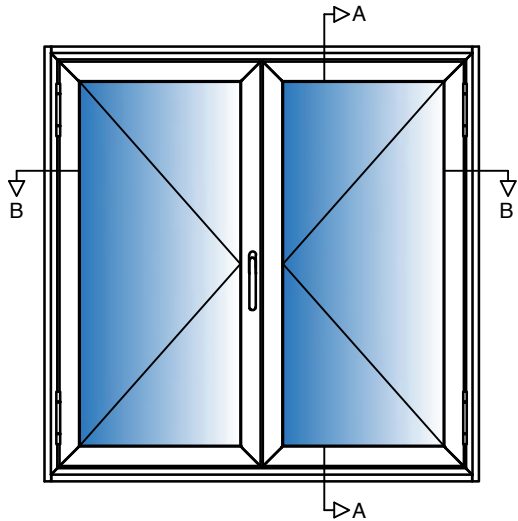
Frame Height



PROJECT: Standard Details	AG_001 DRAWING NO.	- PROJECT NO.	07/07/21 DATE.
TITLE: HU-DHHinge unit, Face Fix, double glazed	NTS DRAWN.	AB CHECKED.	RH REVISION.

**Arctic Glaze Ltd**  
Secondary Glazing Specialists

T: 01246 807 388  
E: info@arcticglaze.com  
W: www.arcticglaze.com



**Specification**

Aluminium 6063-T6 alloy to BS EN 755-9 standard, powder coated to BS 6496 to 60 – 80 micron finish.

Aluminium Finish: White – RAL 9003 Satin.

Glazing: All frames are factory glazed.  
(4mm-10.8 single glazed – 28mm overall double glazed).

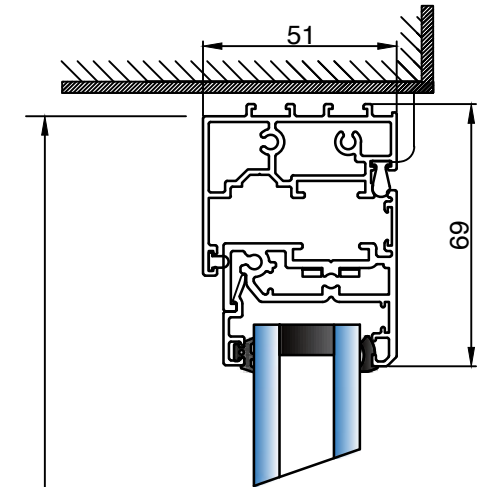
Gasket colour: White.

Trim: 27mm uPVC Single Bullnosed White.

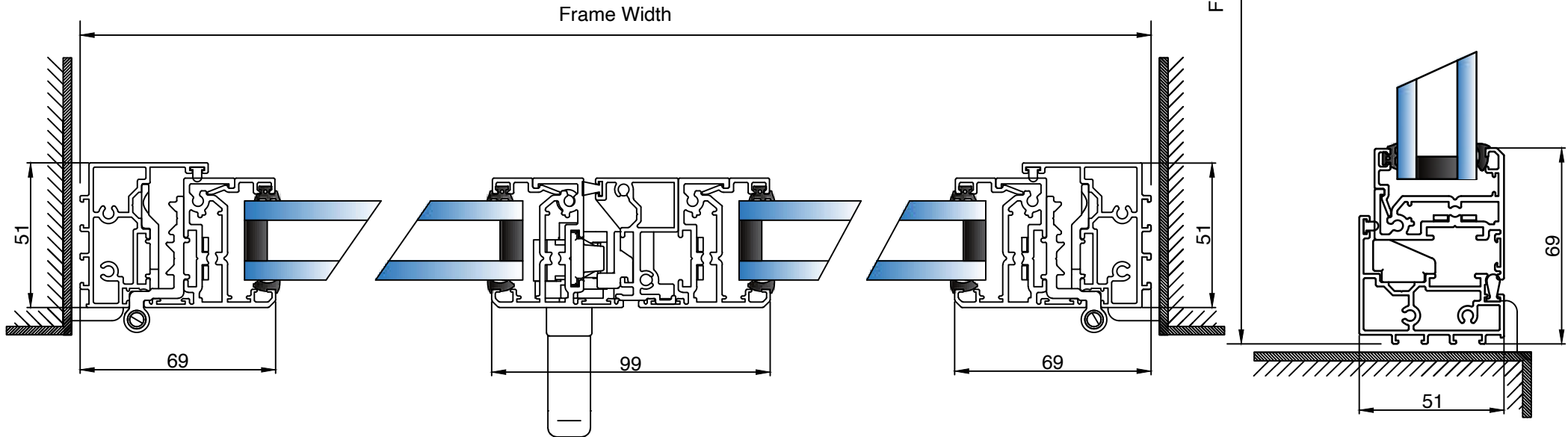
Ironmongery: Butt hinges as standard, friction stays option available.  
Symphony Inline handle as standard, flush inline handle option available.  
Square drive actuator removable handle option available.

Orientation: Left hand, right hand and top hung options.

In line with our company policy of continuous product development and improvement, Arctic Glaze Ltd reserves the right to make minor alterations to the specification without notice.



Section A-A



PROJECT: Standard Details	AG_001		-	07/07/21
	DRAWING NO.		PROJECT NO.	DATE.
TITLE: HU-DHHinge unit, No Sub Reveal Fix, double glazed	NTS	AB	RH	-
	DRAWN.		CHECKED.	REVISION.

**Arctic Glaze Ltd**  
Secondary Glazing Specialists

T: 01246 807 388  
E: info@arcticglaze.com  
W: www.arcticglaze.com