

Specification

Aluminium 6063-T6 alloy to BS EN 755-9 standard, powder coated to BS 6496 to 60 - 80 micron finish.

Aluminium Finish: White - RAL 9003 Satin.

Sub-Frame: Primed high quality with 2 coats, FSC Mix credit radiata pine clear grade, FSC mix credit TT-COC-002 157.

Timber Size: 62mm x 16mm.

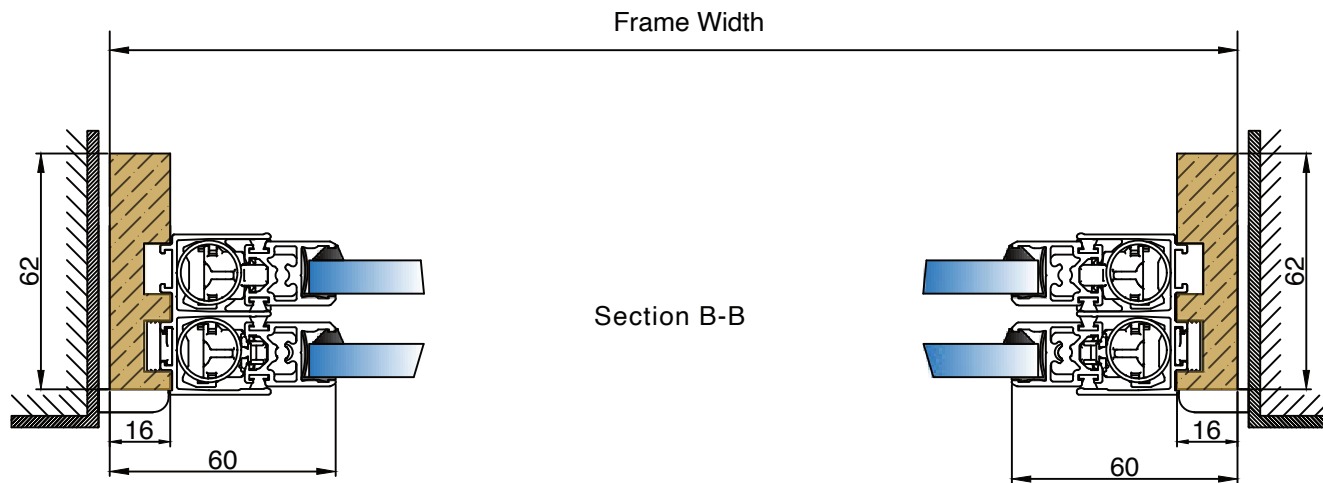
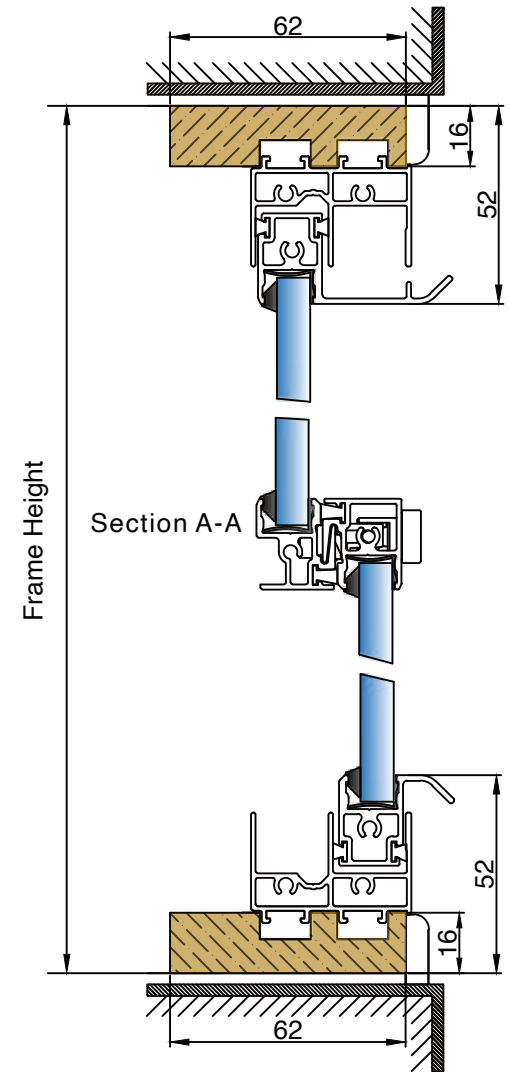
Glazing: All frames are factory glazed.


Gasket colour: White.

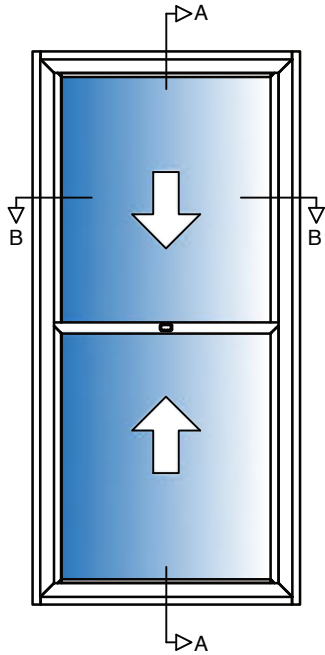
Trim: 27mm uPVC Single Bullnosed White.

Ironmongery: Non-Locking as standard or a Locking option.

In line with our company policy of continuous product development and improvement, Arctic Glaze Ltd reserves the right to make minor alterations to the specification without notice.



| | | | | |
|---|-----------------------|------------------|-------------------|---|
| PROJECT: Standard Details | AG_001 DRAWING NO. | - PROJECT NO. | 07/07/21 DATE. |  <p>Arctic Glaze Ltd Secondary Glazing Specialists</p> <p>T: 01246 807 388 E: info@arcticglaze.com W: www.arcticglaze.com</p> |
| TITLE: BVSBalanced Vertical Slider, Reveal Fix, up to 10.8mm glass | NTS DRAWN. | AB CHECKED. | RH REVISION. | |



Specification

Aluminium 6063-T6 alloy to BS EN 755-9 standard, powder coated to BS 6496 to 60 - 80 micron finish.

Aluminium Finish: White - RAL 9003 Satin.

Sub-Frame: Primed high quality with 2 coats, FSC Mix credit radiata pine clear grade, FSC mix credit TT-COC-002 157.

Timber Size: 43mm x 16mm.

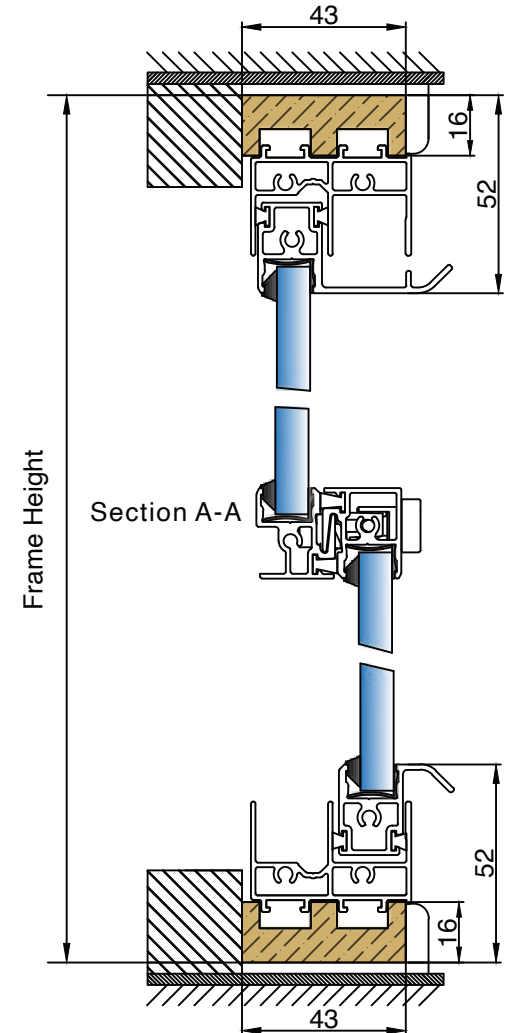
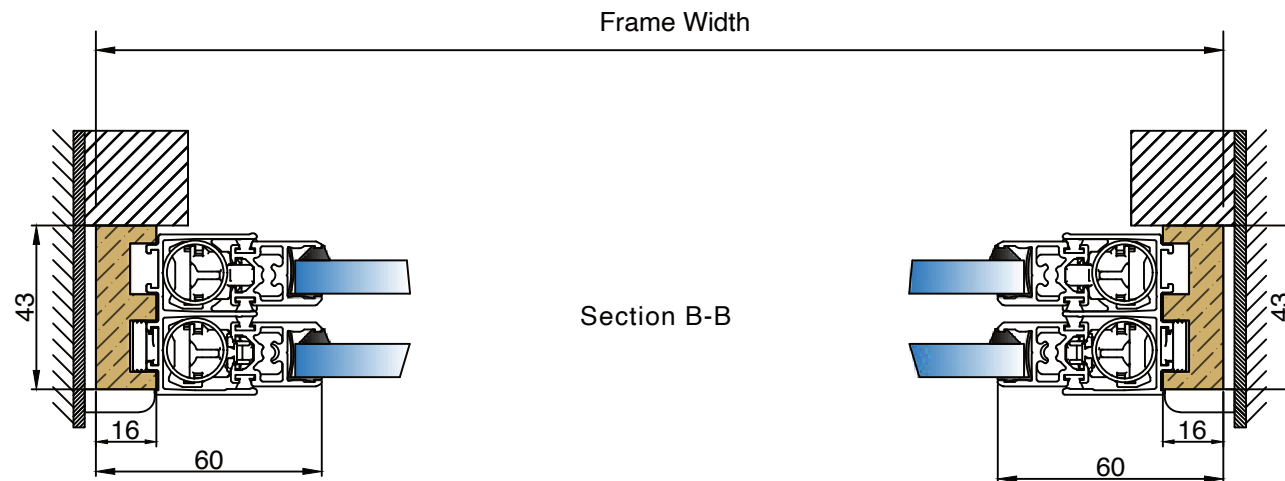
Glazing: All frames are factory glazed.

Gasket colour: White.

Trim: 27mm uPVC Single Bullnosed White.

Ironmongery: Non-Locking as standard or a Locking option.

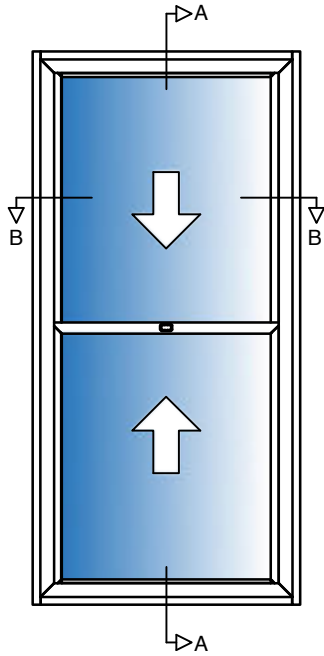
In line with our company policy of continuous product development and improvement, Arctic Glaze Ltd reserves the right to make minor alterations to the specification without notice.



| | | | |
|--|-----------------------|------------------|-------------------|
| PROJECT: Standard Details | AG_001 DRAWING NO. | - PROJECT NO. | 07/07/21 DATE. |
| TITLE: BVS Balanced Vertical Slider, Face Fix, up to 10.8mm glass | NTS DRAWN. | AB CHECKED. | RH REVISION. |

Arctic Glaze Ltd
Secondary Glazing Specialists

T: 01246 807 388
E: info@arcticglaze.com
W: www.arcticglaze.com



Specification

Aluminium 6063-T6 alloy to BS EN 755-9 standard, powder coated to BS 6496 to 60 - 80 micron finish.

Aluminium Finish: White - RAL 9003 Satin.

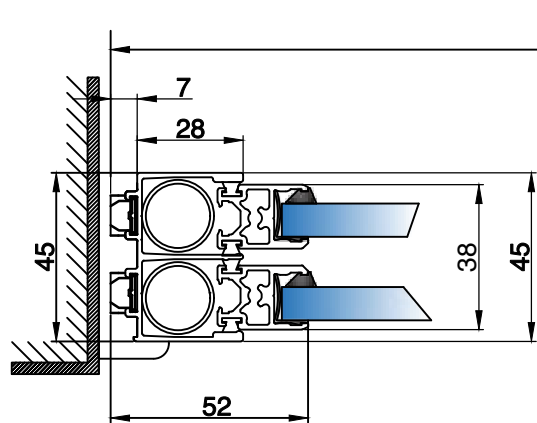
Glazing: All frames are factory glazed.

Gasket colour: White.

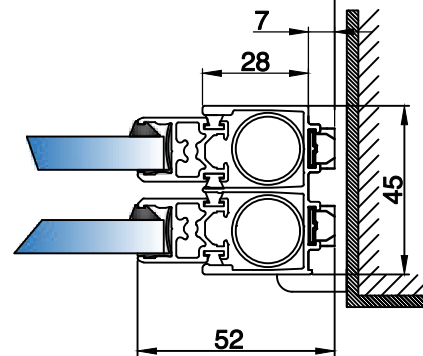
Trim: 20mm uPVC Single Bullnosed White.

Ironmongery: Non-Locking as standard or a Locking option.

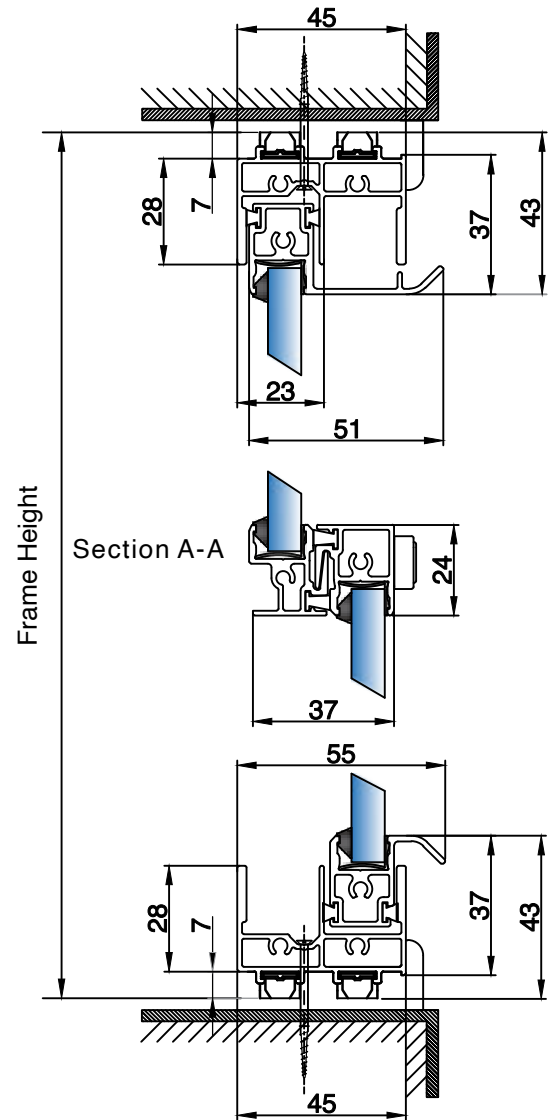
In line with our company policy of continuous product development and improvement, Arctic Glaze Ltd reserves the right to make minor alterations to the specification without notice.



Frame Width



Section B-B



Frame Height

Section A-A

DESCRIPTION:
B0-19 Standard Vertical Slider Ø19 Balances

AG 001-1007
DRAWING NO.

-
PROJECT NO. DATE. 20/01/22

GLAZING/FIXING:
Up to 10.8mm glass / Reveal Fix

NTS
DRAWN. AB

-
CHECKED. SB

Arctic Glaze Ltd
Secondary Glazing Specialists

T: 01246 807 388
E: info@arcticglaze.com
W: www.arcticglaze.com