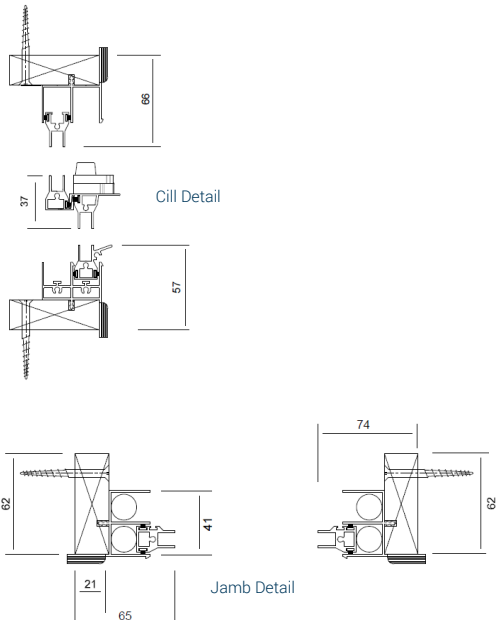


Traditional Product Range Tilt-In Balanced Vertical Slider

Discreet units with self-supporting panes. The tilt-in facility enables each secondary sash (panel) to be independently released from the outer frame and pivoted inwards through almost 180°.



Features

- Slim, unobtrusive aluminium profile
- Smooth sliding action utilising spring balances to ensure ease of use and to support the weight of the panel
- Both panels tilt-in to allow easy access for cleaning and maintenance
- Improved noise and thermal installation
- Suitable for arched applications (please note: top panel won't tilt)
- Suitable to have bevelled timber subframe to fix into bays /splayed reveals
- Can be coupled or stacked with other units in the range to treat large areas of glazing or long runs of windows

Variations of Basic Unit

- Goal post subframe and aluminium available
- Locking Fitch Catch available
- Standard and acoustic trickle vents are available
- Tilt-in balanced vertical slider can be coupled and stacked using a heavy duty frame coupling section or timber to timber
- Larger PVCu trims and timber trims available at an additional cost
- Variety of stock colours available, including all RAL options
- Can accept flyscreen mesh

Specification

- Glazing options: 4mm - 6.8mm
- Choice of timber subframes
- Pre-drilled and countersunk to suit either face fix or reveal fix
- Woolpile inserted into panel section groove to create outer frame seal
- Gasket colour option of black or white
- PVCu trims supplied for the face of the units to create a neat, clean finish
- Fitch catch located centrally on mid-rail
- Standard colour - white high gloss - RAL 9910



Optimum Noise Reduction: 48dB (Rw)

Using 6.4mm acoustic laminate glazing, with 200mm glass-to-glass

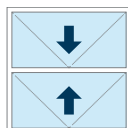


Optimum U Value: 1.868 W/m²K

Using 4mm toughened Low E glazing, with 80mm glass-to-glass

Traditional
Configurations

TBVS



Based on 4mm Glass

Max width:

1,500mm

or Max height:

3,000mm