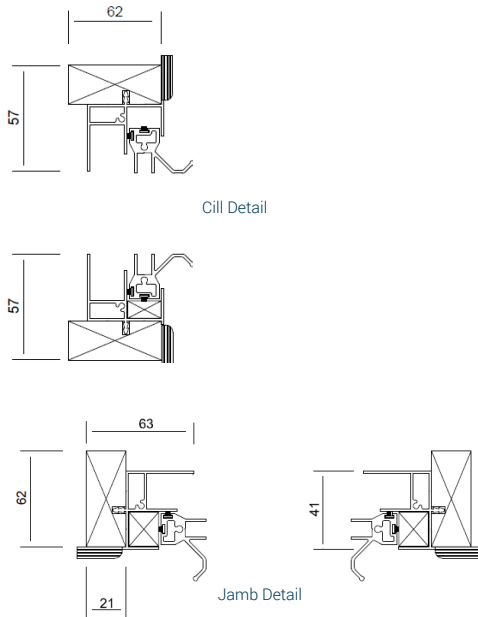


# Traditional Product Range Lift Out

A removable panel within its own outer frame, fixed to the face or reveal of the existing window. These units use an aluminium twin track profile, to provide a secure fixing for larger panes of glass.



## Features

- Slim, unobtrusive aluminium profile
- Economical option to secondary glaze primary window
- Improved noise and thermal installation
- Enhanced Security
- Suitable for arched applications
- Suitable to have bevelled timber subframe to fix into bays /splayed reveals
- Can be coupled or stacked with other units in the range to treat large areas of glazing or long runs of windows
- Easy to remove the panel for cleaning and maintenance of primary window

## Variations of Basic Unit

- Anti-lift bolt is available to secure the panel in place (fitted through subframe)
- No subframe version available
- Slimline option available
- Standard and acoustic trickle vents are available duty frame coupling section or timber to timber
- Larger PVCu trims and timber trims available at an additional cost
- Variety of stock colours available, including all RAL options
- Can accept flyscreen mesh
- Curved in plan option available

## Specification

- Glazing options: 4mm - 6.8mm
- Choice of timber subframes
- Pre-drilled and countersunk to suit either face fix or reveal fix
- Woolpile inserted into panel section groove to create outer frame seal
- Gasket colour option of black or white
- PVCu trims supplied for the face of the units to create a neat, clean finish
- Lift out section has one rib running along the section
- Standard colour - white high gloss - RAL 9910



### Optimum Noise Reduction: 52dB (Rw)

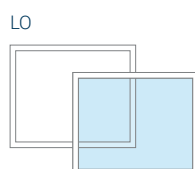
Using 6.4mm acoustic laminate glazing, with 200mm glass-to-glass



### Optimum U Value: 1.868 W/m<sup>2</sup>K

Using 4mm toughened Low E glazing, with 80mm glass-to-glass

Traditional  
Configurations



Based on 4mm Glass

Max width: 2,000mm  
or Max height: 2,000mm